

Triton Series

Fixed, Rental &
Curvable Cabinets



PRODUCT ADVANTAGES & KEY FEATURES

The Triton Series is a HD Rental/Fixed Indoor cabinet designed and developed to revolutionize the LED Display Industry. Specially designed and engineered cabinets require zero tools for quick and easy installation. Our simple rig and click patented pin is compatible for both horizontal and vertical alignment.

- ▶ Honeycomb Tiles: Provides the ruggedness and protection for long lasting usage.
- ▶ Hot Swappable PSU: Equipped with dual-power supply and dynamic load system ensures the show will continue to go on.
- ▶ Real Time Monitoring: Able to monitor and auto-adjust temperature, voltage/power consumption, data and many other aspects in real time.
- ▶ Multi-Cabinet Sizes: Enables end-user with the flexibility to customize their LED displays size.
- ▶ Light Weight & Rugged: Sleek aluminium profile strong enough to withstand 1000KG of weight from a hanging or fixed installation.
- ▶ Curvable Cabinet: Adjust the cabinet to either concave or convex to find the exact curvature you require.
- ▶ Climbable Cabinets: Sturdy cabinets combine to make a stable structure for safe climbing and urgent maintenance requirements.
- ▶ Video Floor Mode: Simply convert the Titan Series to a Video Floor with the use of our proprietary components.

CABINET INSTALLATIONS



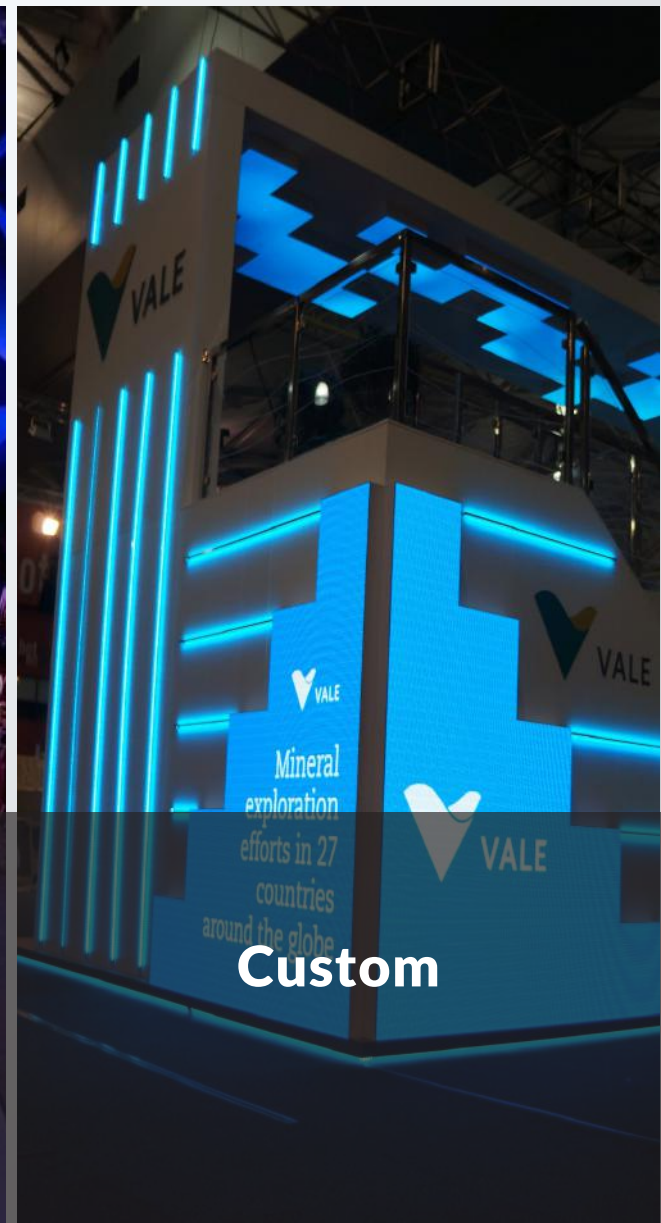
Front Service



Back Service



Rental



Custom

CABINET FEATURES

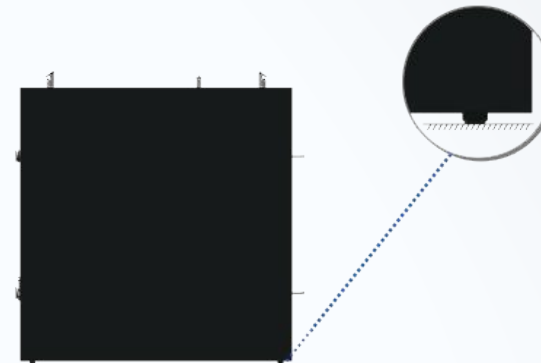


Curvable Cabinets

The Triton Series' Rental LED Display cabinet's curvable structure allows users to set the curvability to either convex or concave of $\pm 7.5^\circ$. The cabinet consists of a combined main cabinet and a left/right section which enables your LED display to be custom curved to their desired angle. Our patented zero point guide pins are a unique system which can easily lock the panels to a precise angle based on your projects requirements.

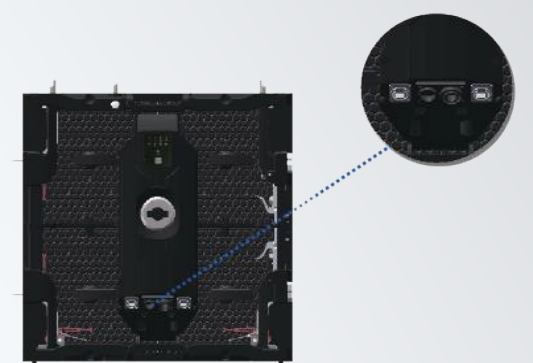


Cabinet Protection



Ultimate cabinet and LED protection with our specially designed elevated cabinet bottoms.

Connectors



Power and signal connectors bottom location makes it quick for and easy access.

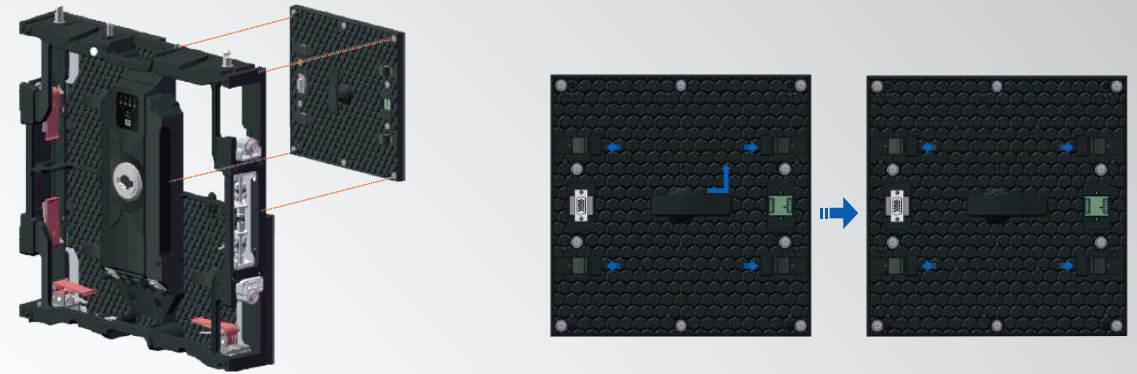
Magnesium Cabinet

Triton's Cabinet is made of magnesium alloy with a light weight and solid structure.



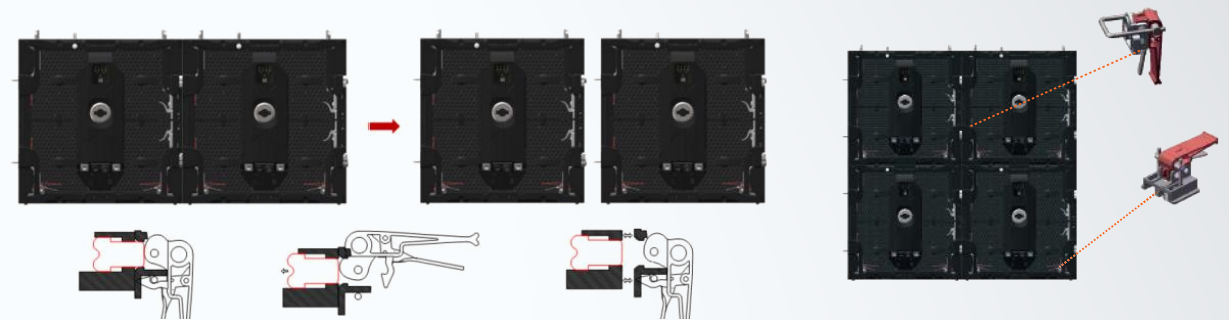
INSTALLATION FEATURES

Simple Module Swapping

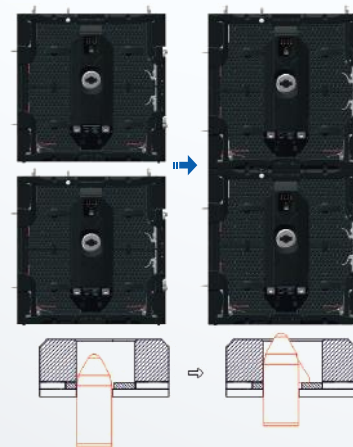


Easy Installation & Maintenance

The Triton Series' Rental LED Display Indoor cabinet is the easiest rental product to install on the market. Simply rig and click with zero tools for a quick and easy installation. Our patented clamp components ensure the installation process is completed in half the time as most competitors, thus saving cost of labor and reducing the initial set up time for highly important events.

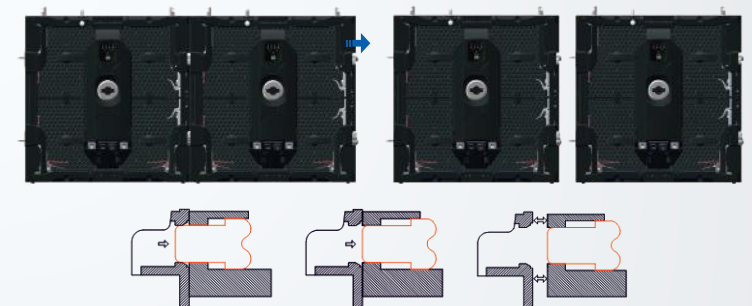


Vertical Rigging



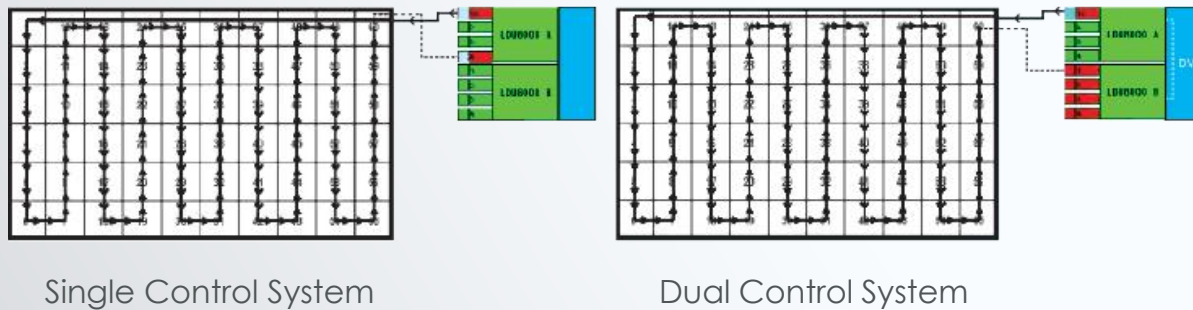
Horizontal Rigging

Simple click and rig pin for easy assembly.



POWER & DATA FEATURES

Signal Hot Backup Ensure ZERO Downtime



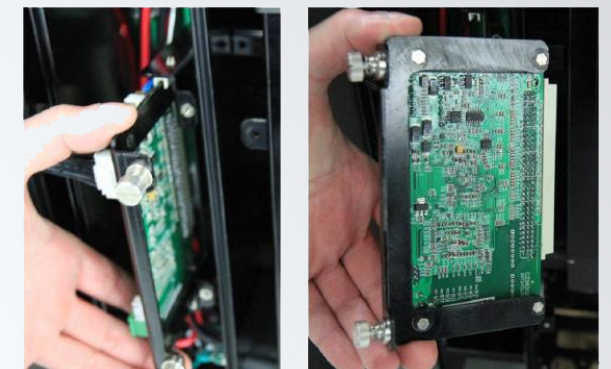
Real Time Monitoring



Real time indicators on the back of each cabinet display 24/7 operation status.

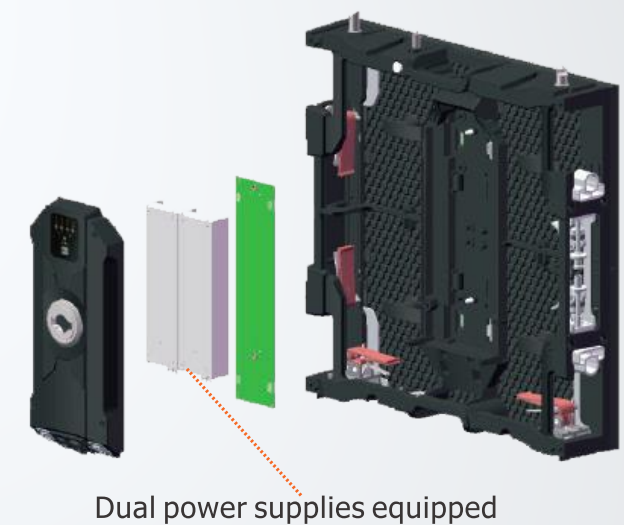
Hot Swap Receiving Card

The Triton Series' Rental LED Display cabinet's has been specially designed with a hot swap receiving card which allows users to change tool free within minutes of notification. Once a receiving card indicates it is defective users are notified via SMS of the issue. During a live event maintenance can change the receiving card with zero LED display down time.



Hot Swap Power Supply

The Triton Series' Rental LED Display cabinet's hot swap power supply ensures live events have zero down time. The unique design allows for a quick and easy power supply swapping on any defective PSU's. Each cabinet is fully equipped with dual PSU's which act as a backup in case users face an issue with a potential power supply. Users are then notified via SMS when a faulty PSU has occurred, and the spare power supply will manage the power consumption for the entire cabinet to ensure any live event is never jeopardized.





PLEDCO HD DISPLAY

Our calibration technology reaches all possible X & Y coordinates ensuring you HD broadcasting experience is crystal clear.

1 COLOR ENHANCING

After calibrating with our Radiant PM-1400F Calibration System in a dark room, the wave length difference for each color will only be less than 0.01nm. Our patented control system allows users to select several different color spaces such as; 2k (REC709), 4K (REC2020) or create your own color space by using our user-friendly software.

2 COLOR COORDINATION PROCESS

The same batch of LED's with discrete distribution are all moved to PAL Mode Chroma Area through color coordinate calibration Technology.

Since each LED batch produced has different coordinates this requires precise color calibration, which in turn allows:

- ▶ Allows the LED display to show natural and vivid colors.
- ▶ Ensures that all LEDs have been color rendered consistently.

SYSTEM CALIBRATION

All X & Y coordinates are kept in our client project database. When you order new tiles for an existing project we retrieve the original X & Y coordinates. This ensures during calibration all colors are matched properly. Typically in video mode you will not see any color differences, however when white is at 50% brightness the user may see a slight difference in color.



3 DIGITAL DATA REVISION

If an single pixel fails, the data will be read-out from the EEPROM and then re-wrote to the replacement chip. After this process the brightness value is calibrated again to ensure the uniformity of the entire system, thus providing easy and fast maintainability.

At the same time, the system records every displays' initial calibration data to avoid uneven brightness caused by led attenuation. The updated screen brightness calibration data and recorded data, both ensure the uniformity of the display's brightness over a period of time.

CONTROL SYSTEM 4K PROCESSING



MPU9000 SPECIFICATIONS

Input			
Type	Channel	Connector	Details
DisplayPort	1	DisplayPort Standard	Supports DisplayPort 1.2. Max.3840×2160@30Hz
HDMI	3	HDMI Standard	Supports HDMI 1.4 Max.3840×2160@30Hz
DVI	2	DVI-I	Analog inputs not supported. DVI1 Supports dual-link Max.2560×1600@60Hz
SDI	1	BNC	Supports SMPTE 425M-Level A(3G-SDI), SMPTE 292M(HD-SDI), SMPTE 259M-C(SDI)
VGA	1	HD-15	Max.1080P@60Hz
YPrPb	1	3.5mm jack	Max.1080P@60Hz
Genlock	1	BNC	SD bi-level and HD tri-level sync, PAL, NTSC, 720p, 1080i/p, 576i/p, 480i/p
Output			
Type	Channel	Connector	Details
DisplayPort	1	DisplayPort Standard	Supports DisplayPort 1.2. Max.3840×2160@30Hz
HDMI	1	HDMI Standard	HDMI1.4.Suports 12bit deep color
DVI	1	DVI-I	Loop out from DVI2 input
SDI	1	BNC	Loop out from SDI input
Genlock	1	BNC	Loop out from Genlock Input
SPDIF	1	RCA	Supports standard S/PDIF for stereo LPCM or compressed audio up to 192 kHz
Headphone	1	6.5mm audio jack	Stereo Audio Output
LED Datalink	6	Neutrik etherCON	1Gbps/port
Others			
Control Methods	USB, Gigabit Ethernet, IR, HMI on the Font Panel		
Power	Neutrik powerCON connector, 100-240 VAC, 50-60 Hz, Max.25W		
Temperature	-10 ~ +50 °C		
Mechanical	472×375×90 mm		
Optional			
Fiber optical direct output, single mode or multi mode MPU9000 (FM or FS)			

- Integrated with SWITCH Monitor(2x2), Video Processor, Full-HD Media Payer and LED Display Controller
- Supports SD Card and mSATA SSD Mass Storage devices (up to 256GB for SSD and 200GB for SD)
- Available in fiber version with single mode or multi mode direct fiber output
- Supports DisplayPort 1.2, HDMI 1.4, dual-link DVI and 3G SDI Inputs
- Advanced Faroudja® video processing: MADi amd DCDi
- Supports daisy chaining of monitors of up to four streams
- 6GB LED Display Data Link(optional fiber output)
- 6-axis color control independent of ACC
- 4K×2K screen resolution support
- Supports Gigabit Ethernet
- Built-in 6.5mm audio jack
- SPDIF Output by coaxial
- Supports Genlock
- Built-in Monitor
- 16bits Process

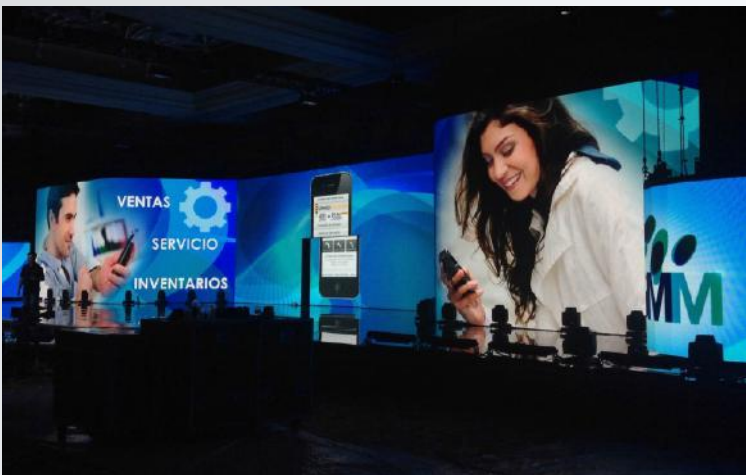


KEY FEATURES

APPLICATIONS



AIRPORT



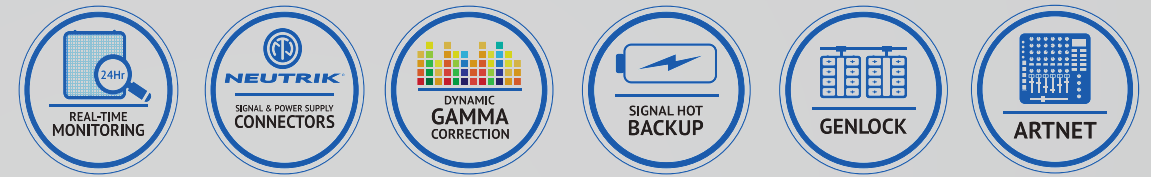
EVENTS



FINANCIAL

TRITON SPECIFICATIONS

Custom designed by an industry leading Canadian engineer, our Titan Series is equipped with automatic brightness technology to overcome any lighting conditions while delivering HD imagery.



PLEDCO

THE FUTURE of LED technology

From sports stadiums, to spectaculars and beyond, PLEDCO has over 25 years experience in meeting customers' unique needs. Backed by a talented team of engineers and designers and a robust product line offering, PLEDCO can turn your display dream into a reality.



Overview	Features	Indoor		Outdoor	
Mechanical	Model Name	S2	S3	S4	S40
	Structure type	Slender Fix/Rental	Slender Fix/Rental	Slender Fix/Rental	Slender Fix/Rental
	Physical pitch	2.9mm	3.9mm	P4.8mm	P4.8mm
	Model Number	VF12.9BLT	VF13.9BLT	VF14.8BLT	VFO4.8BLT
	Tile Material	Magnesium alloy painted	Plastic injection		
	Weight per cabinet / Square meter (Kg)	8.9 / 35.6	8.7 / 34.8		
	Cabinet Surface (SQM)	0,25			
	Standard Cabinet Size (WxHxD) (mm)	500 x 500 x 91 (custom design available)			
	Standard Cabinet Size (WxHxD) (mm)	172 x 172	128 x 128	104 x 104	
	Cabinet Flatness (mm)	<= 0.1			
	Pixel Density (SQM)	118 336	65 536	43 264	
	Tile Size (mm) L x H	250 x 250 (2 x 2 per panel)			
	Tile Resolution (pixels)	86 x 86	64 x 64	52 x 52	
	IP Grade IP 66	IP 43 Standard, Op onal IP62 with Nano Coa ng			IP 66
Technical	Voltage	110/220VAC, 50-60HZ			
	LED Type	3 in 1 SMD 1515 True Black			3 in 1 SMD 2727 black body
	Power Supply Unit	Dual mean well Power backup system			
	Power Supply Redundancy	Yes with Dynamic Brightness Management technology			
	Data Line Redundancy	Yes (Real Time Watchdog Monitoring) data and fault log and pixel check func on op onal			
	AV-input	DVI Dual link / HDMI 1.4 - HD4K op onal on LDU9000			
	Gamma	Dynamic Gama single Map 1.8 2.0 2.1 2.2 and custom on independent color			
	Operating Humidity Range	0-90%			
	Grayscale	20 bit			
	Refresh Frequency	>4000HZ on MSB and LSB Grey scale and special proprietary cross scanning technology.			
	Brightness Control	100 levels bu manual control or scheduler / 256 levels by light sensor (Op onal UDP command for external control through TCPIP)			
	White Balance Brightness at 6500K after Calibration	1500 Nits		4500 Nits	
	Operating Temp. Range	-30 to 65°C			
	Scanning Mode	1/12	1/8		
	Color Temperature	3200K to 9500K (4 fix Presets and 1 Custom)			
	Dot Brightness Calibration	Yes (Using Radian Camera, Stored In Tiles with auto calibra on for easy maintenance) Real me user selectable HD2K or HD4K color space. Self user es color space adjustment without calibra on camera.			
	Brightness Uniformity	+-2%			
	Color Calibration	Patented exclusive HD2K or HD4K user selectable with calibra on stored in es.			
	Chroma Uniformity	+- 0.002 (Cx, Cy)			
	Frame Rate Hz	50 / 60 / 100 / 120 op onal 240 and 3D ac ve processing			
	Typical lifetime	>= 100 000 hrs MTBF 25 000 hrs			
	Maintenance Access	Rear (Front Access Op onal)			
Viewing Angle	>= 170° x 170°				
Directivity Angle (viewing angle at 50% brightness)	140° x 140°				
LED Binning Wavelength	+/- 1.5Nm				
LED Binning Brightness	+/- 2.5%				
MAX Thermal load BTU (per cabinet)	127		204		
AVG. Thermal load BTU (per cabinet)	42		66		
Control System	LDU2800-8000 (Video encoder)	2-4 Gigabyte output with full redundancy between controllers , 20bit color processing. Op onal Offline player built in, NTICIP, Artnet			
Power Consumption	Maximum (per cabinet) W/h	127		225	
	Average (per cabinet) W/h	42		75	



CUSTOMER SERVICE

At PLEDCO, we strongly emphasize the importance of customer relationships, and their trust in our products. Our key to lasting relationships focuses on delivering world-class LED products, while promising exceptional customer service and reliability, ensuring our clients a relaxing experience. PLEDCO is recognized as an industry leading LED total solution provider, from initial inquiry to after sales, our heavily trained team will guide you step-by-step through the entire process of your LED project.

Installation Support

Our skilled technicians can professionally install your LED Displays without disturbing your projects schedule. Mitigation and problem-solving are inevitable during the installation process, and PLEDCO's installation "Gurus" have the experience, know-how, and technical expertise to handle nearly any situation. We are able to provide you with all the required documents including; specification sheets, system diagrams, complete display and structure elevation drawings, and 3D rendering if required. As your dedicated total solution provider, we promise to be there step-by-step guiding you through your project, from initiation to closing.

24/7 Technical support via online or phone

Our phone and online live support systems enable us to provide 24/7 technical assistance. If you require urgent assistance our skilled technicians are always ready to help, regardless of difficulty. Technicians are required to pass intensive training and testing to ensure issues are dealt-with professionally and accurately, while emphasizing the importance of your project's

Warranty & Maintenance

With over 20 years of combined professional experience, our internationally exposed engineers have specially designed and developed LED Display solutions to cope with harsh environments and withstand extreme temperatures. However, in the event of a problem, our highly experienced technical support team promises minimal display down-time by utilizing our bullet-proof trouble-shooting expertise. Nearly all of Pledco's products include a 5-year warranty, with optional extensions available upon request.

Parts Availability for the Next 15 Years

Our manufacturing facility produces all the parts used assemble our LED displays. More importantly, we own all the technology, molds and PCB layout designs that are used to develop these parts. This provides us with the reliability knowing exactly what materials are being used and ensures the quality of our products can easily be managed directly from the production level. One of the biggest after-sales issues a client could have is being able to receive replacement LEDs that have been recalibrated exactly the same as the display when first produced. PLEDCO is one of the few companies in the world who utilizes the international HD NTSC REC-709 calibration in LED display, thus making it possible for us to provide our clients the exact same LEDs to match their display by using radiant's camera technology.



PLEDCO LTD.
2/F Flat Roof 167 Lockhart Road
Hong Kong

pledco.com
info@pledco.com
worldwide: 1-855-717-2606